

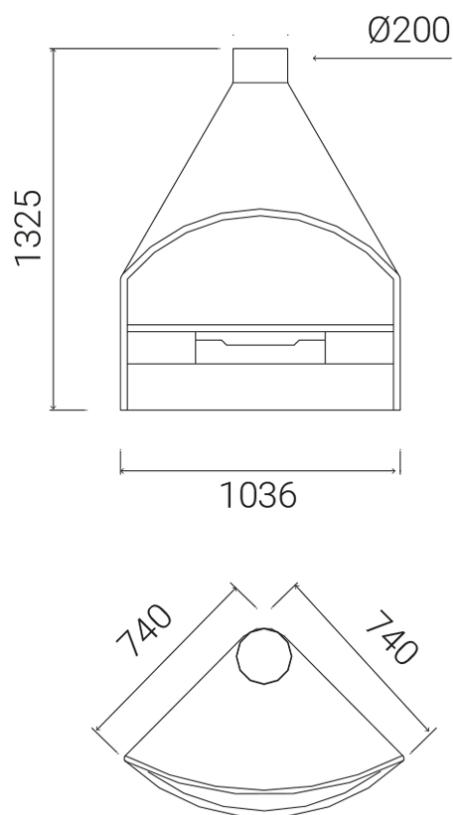
Santiago



TECHNICAL DATA

HRP. Heat-resistant Paint	Yes
Ral	No
Dual combustión	No
Double Hood	No
Detachable deflector	Yes
Ventilated back	No
Rotating system	No
Combustion	L-G-B
Wall mount bracket	No
Flue pipe to the ceiling	Yes
Spark arrester	Op
Commercial pipe connection diameter	H 200
Commercial pipe must be purchased separately	-
Net weight	90 kg
Gross weight	110 kg
Packaging	1000 x 1000 x 1700 mm
Performance	36%
Power	4 Kw

Model: Corner



C/ de Folgueroles, 3
Pol. Ind. Malloles
08500 Vic | Barcelona

T:+34 93 459 87 01
<https://www.traforart.net>
traforart@traforart.net

TRAFORART