

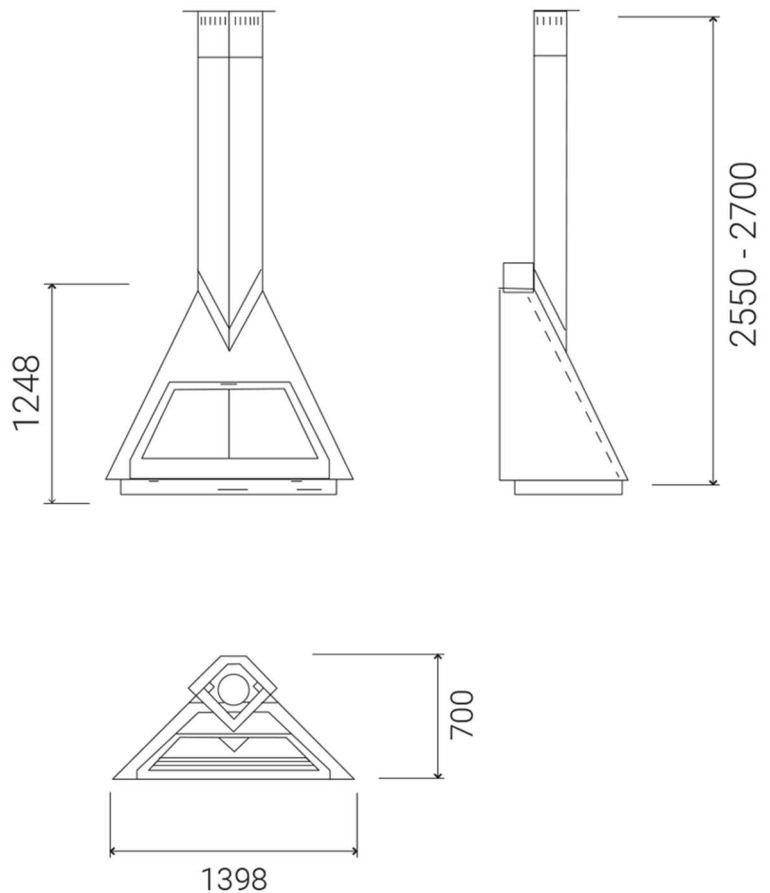
Foxi



TECHNICAL DATA

HRP. Heat-resistant Paint	Yes
Ral	No
Dual combustión	Yes
Double Hood	No
Detachable deflector	Yes
Ventilated back	Yes
Rotating system	No
Combustion	L-G-B
Wall mount bracket	Yes
Flue pipe to the ceiling	Op
Spark arrestor	No
Commercial pipe connection diameter	H 180
Commercial pipe must be purchased separately	Yes
Net weight	140 kg
Gross weight	160 kg
Packaging	1230 x 1230 x 1800 mm
Performance	70%
Power	8,7 Kw

Model: Corner



C/ de Folgueroles, 3
Pol. Ind. Malloles
08500 Vic | Barcelona

T:+34 93 459 87 01
<https://www.traforart.net>
traforart@traforart.net

TRAFORART